
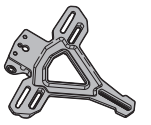
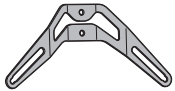
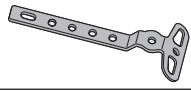










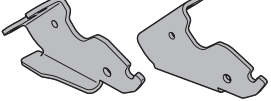
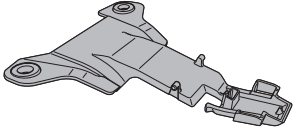
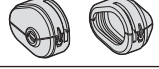
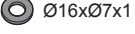
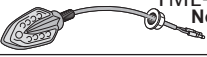


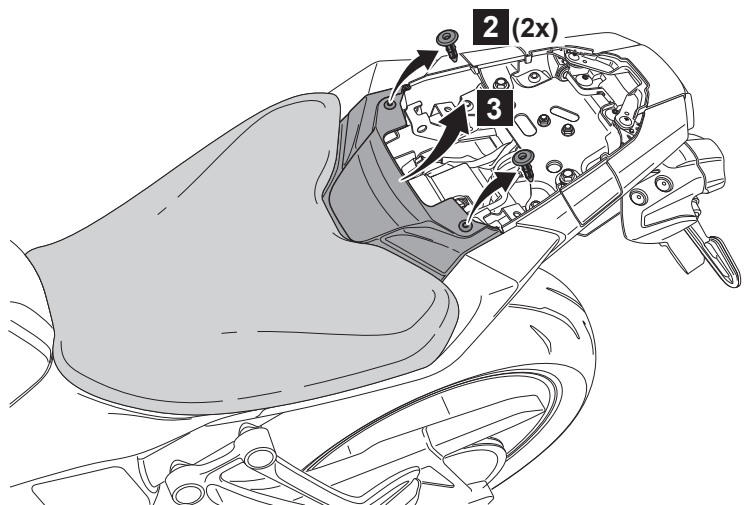
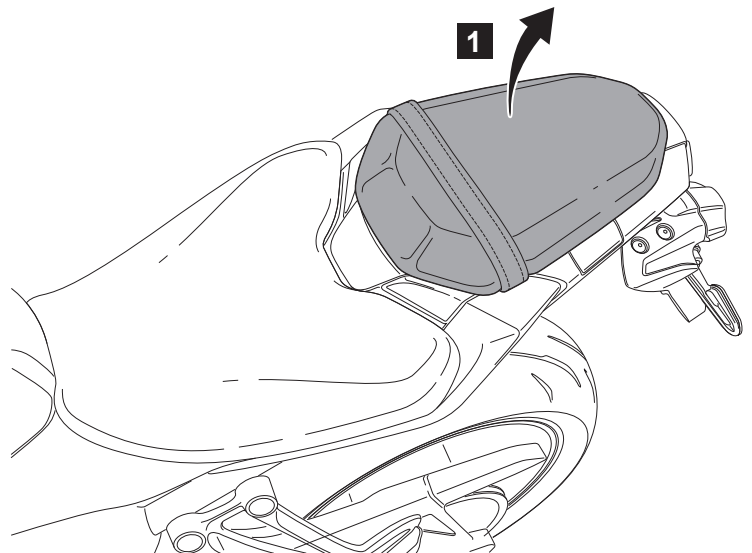


License Plate Holder MT-07 (2025)

Posnr.	QTY	
①	1	
②	1	
③	1	
④	1	
⑤	3	 M5x10
⑥	4	 M5 DIN 985
⑦	2	 M5x12
⑧	2	 M5
⑨	1	
⑩	1	
⑪	4	 M6 DIN EN 1661
⑬	1	
⑭	4	 M6x12
⑮	2	 M6x16
⑯	1	
⑰	1	
⑱	1	
⑲	5	 Ø16xØ7x1
⑳	2	 YME-W0789-XX-00 Not included
㉑	2	
㉒	1	 100mm



Easy, suitable for novice with little experience



Fairly easy, suitable for beginner with some experience



Fairly difficult, suitable for competent DIY mechanic



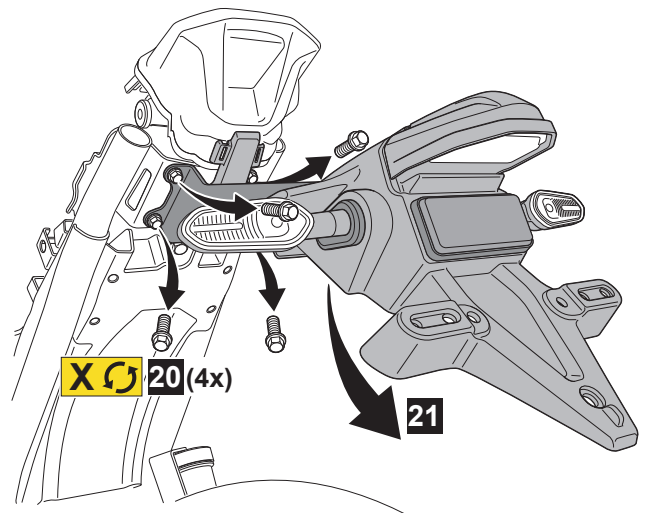
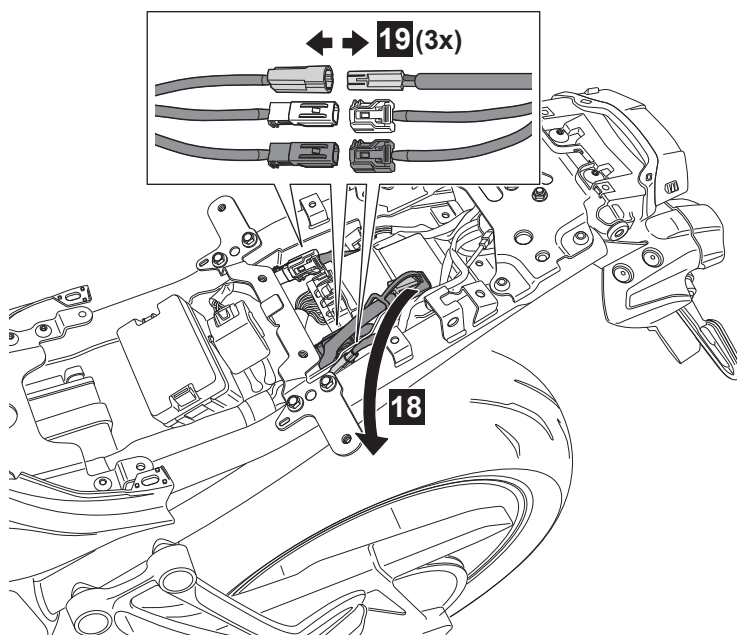
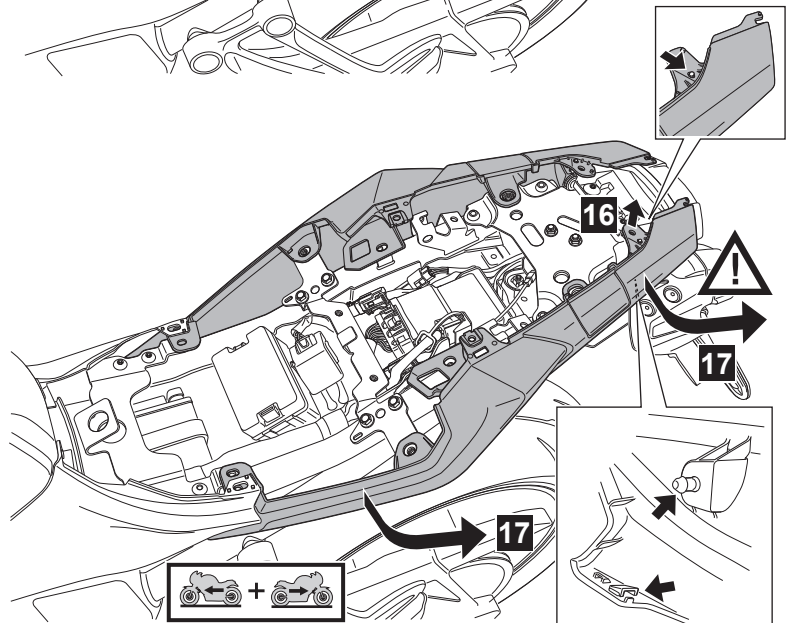
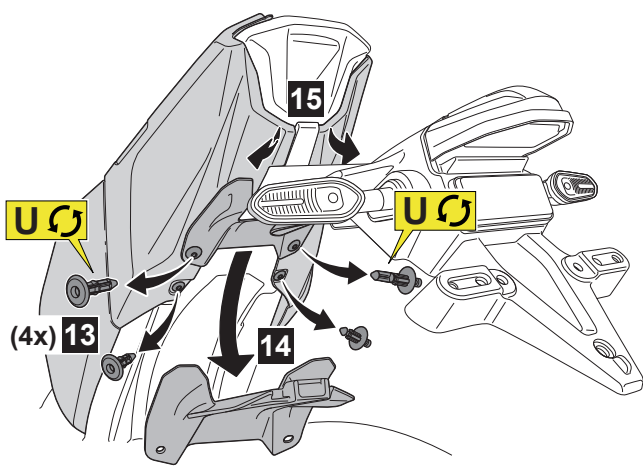
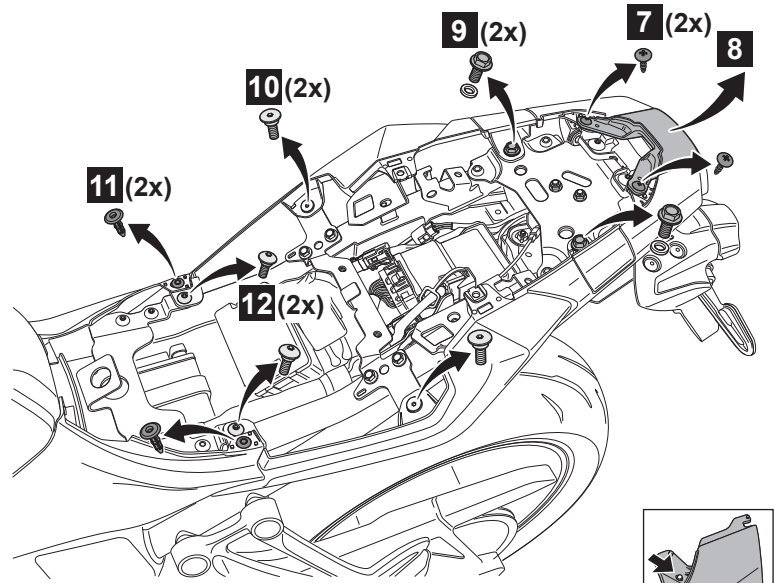
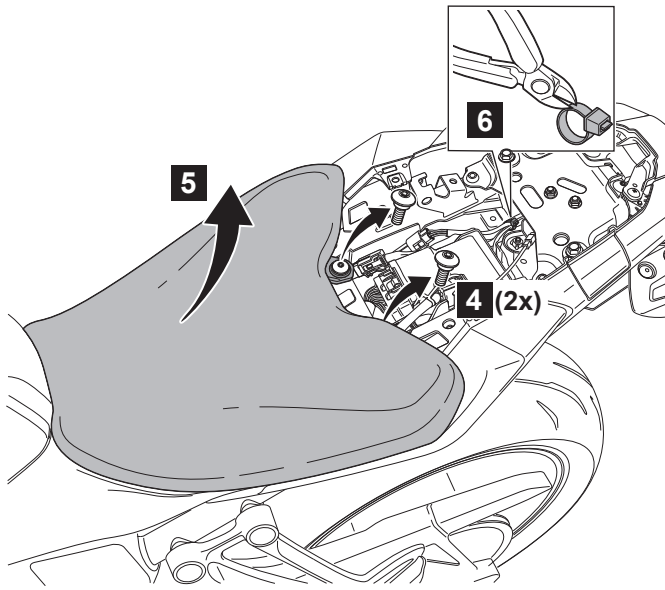
Difficult, suitable for experienced DIY mechanic



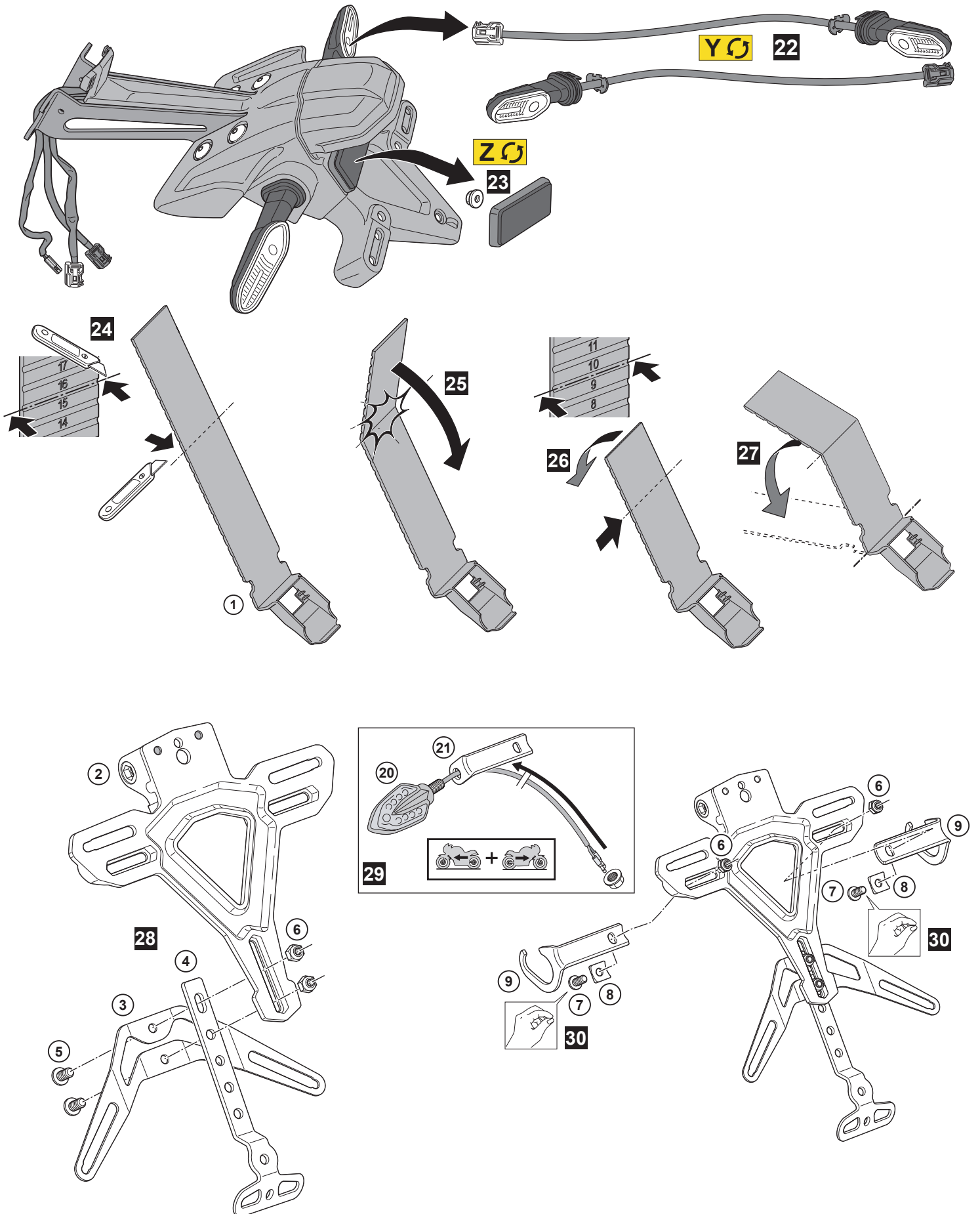
Very difficult, suitable for expert DIY or professional



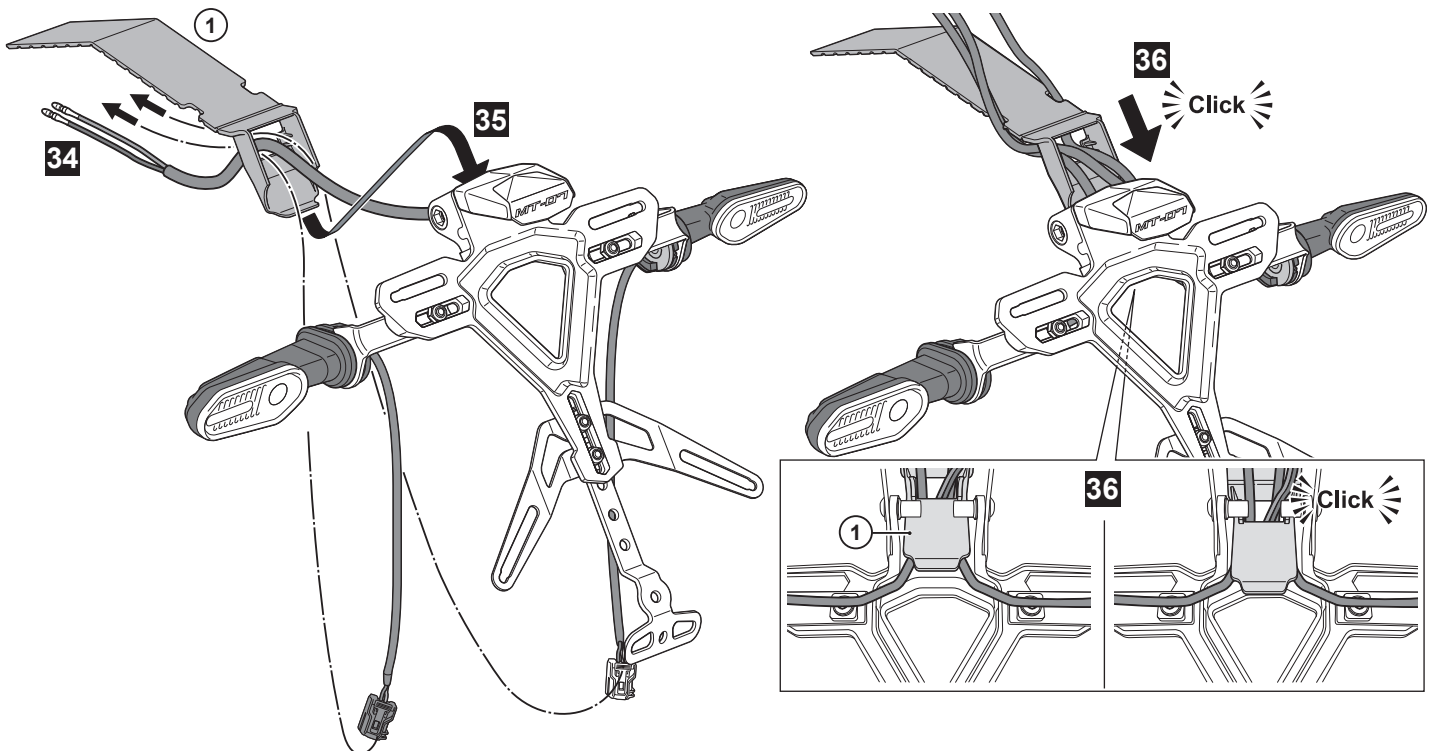
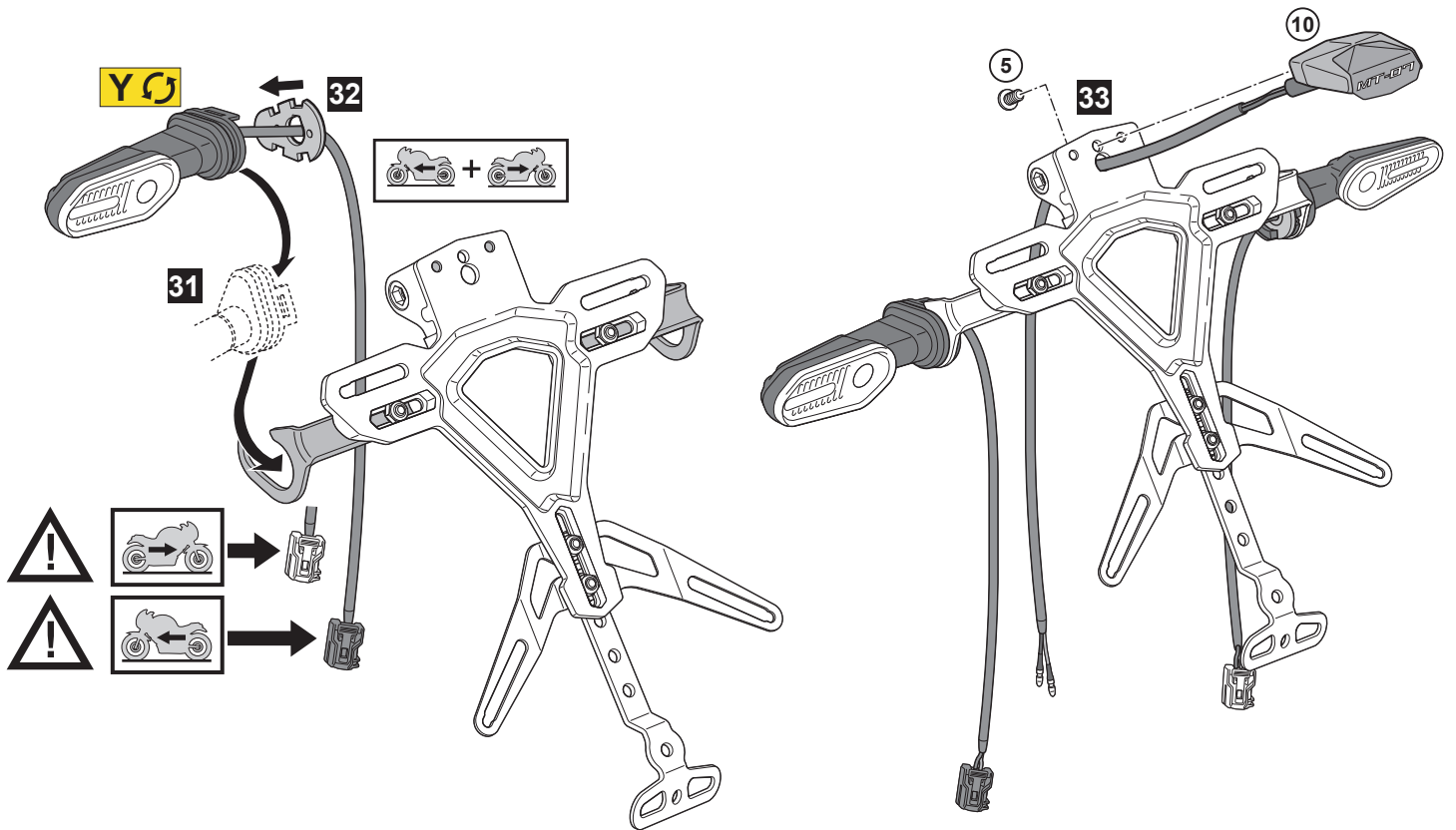
License Plate Holder MT-07 (2025)



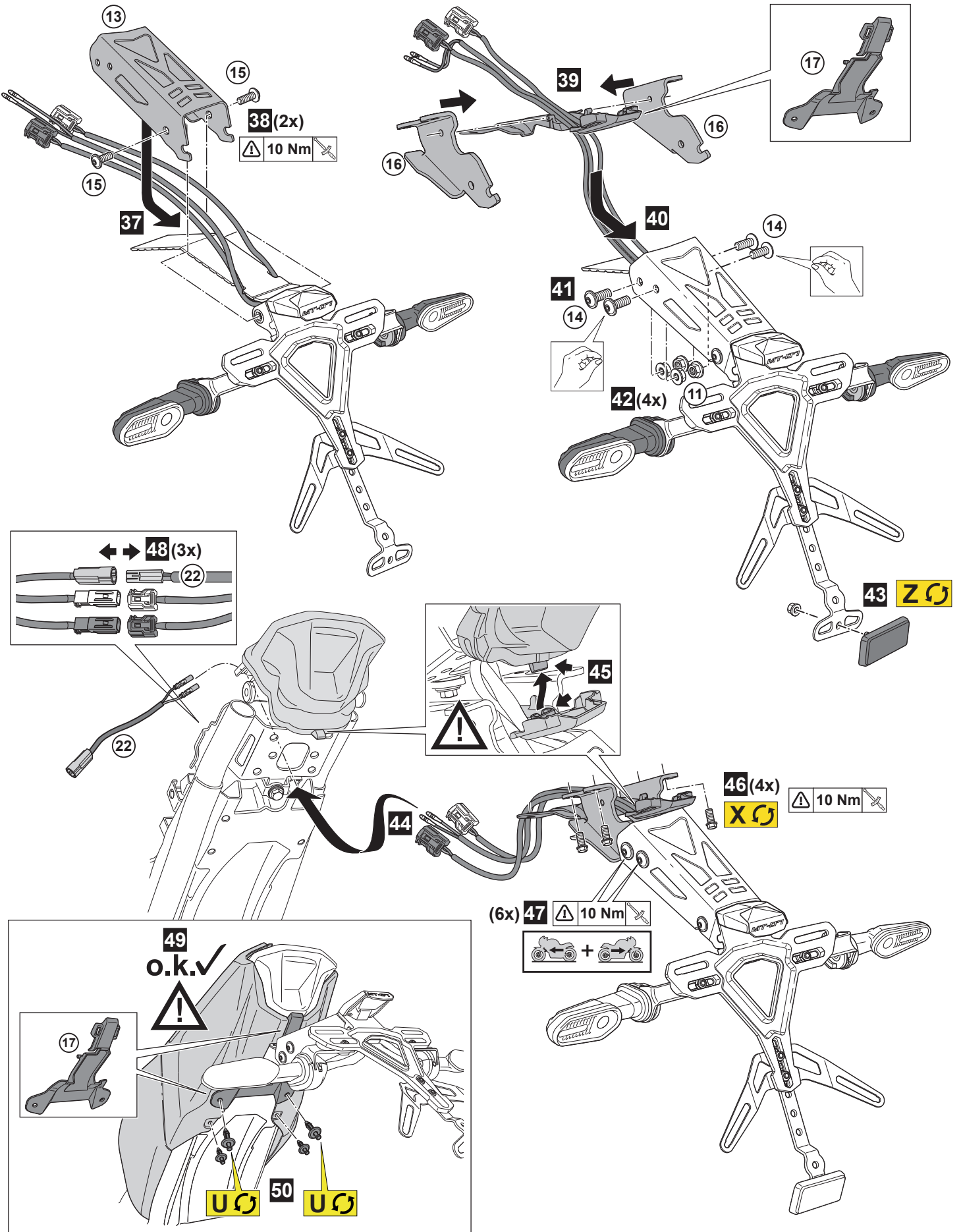
License Plate Holder MT-07 (2025)



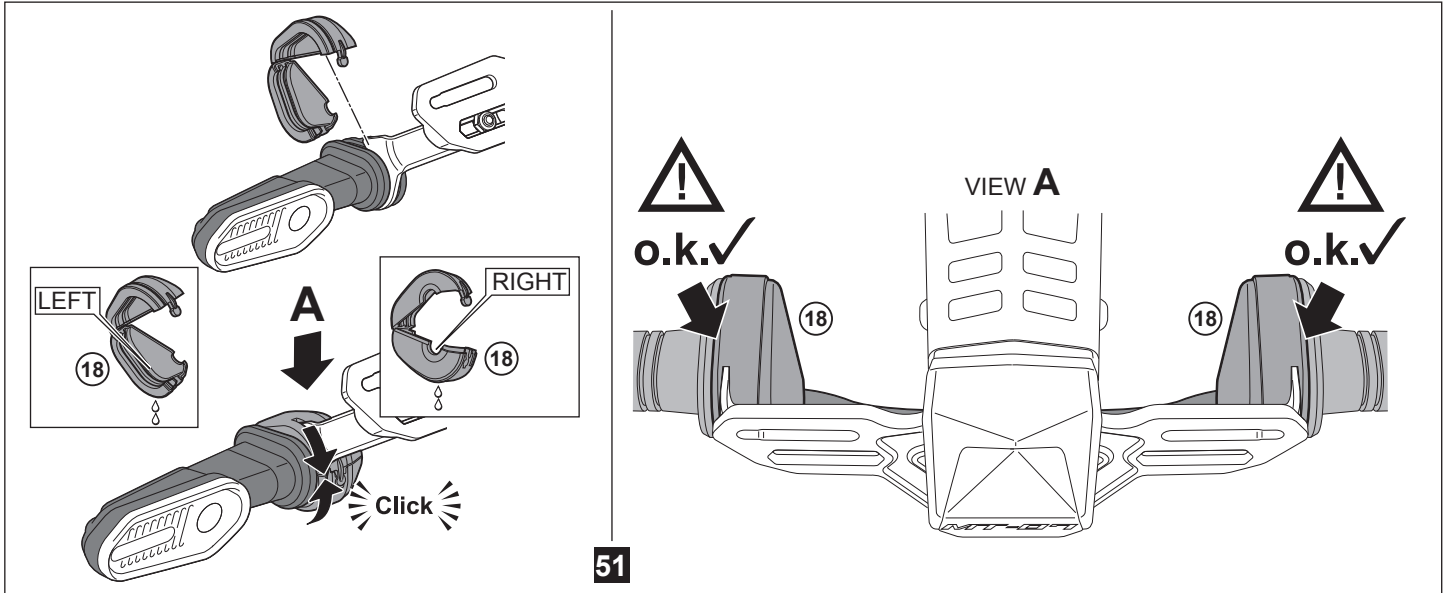
License Plate Holder MT-07 (2025)



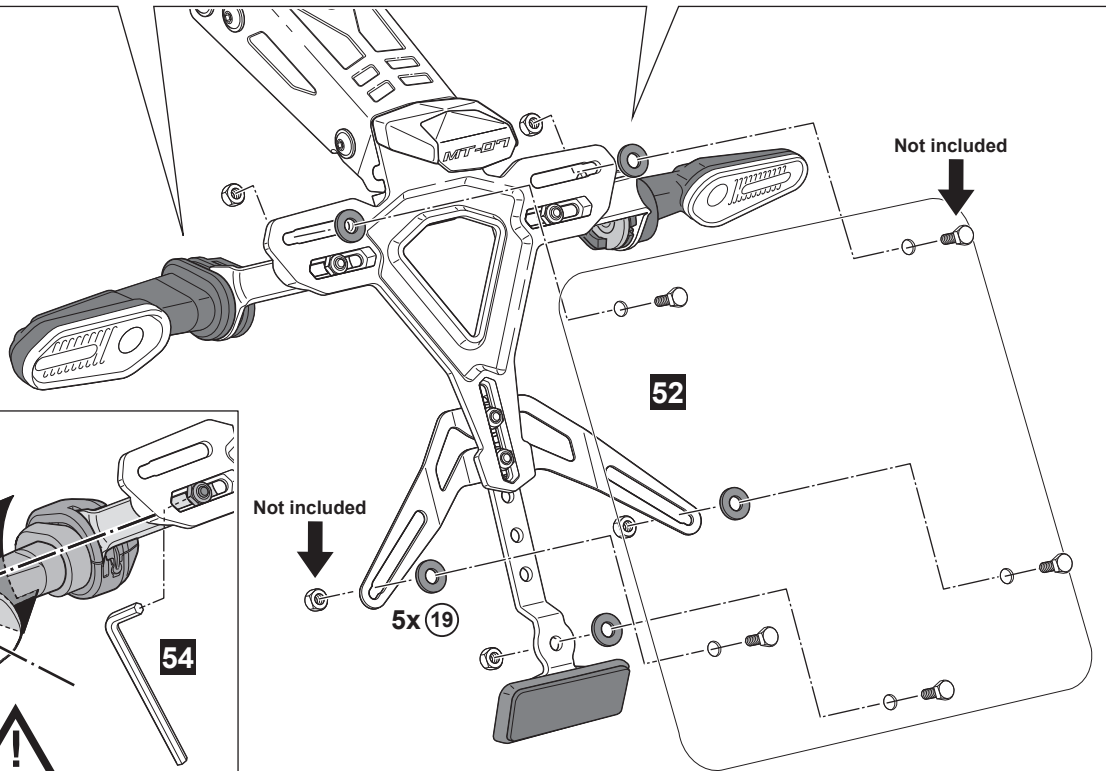
License Plate Holder MT-07 (2025)



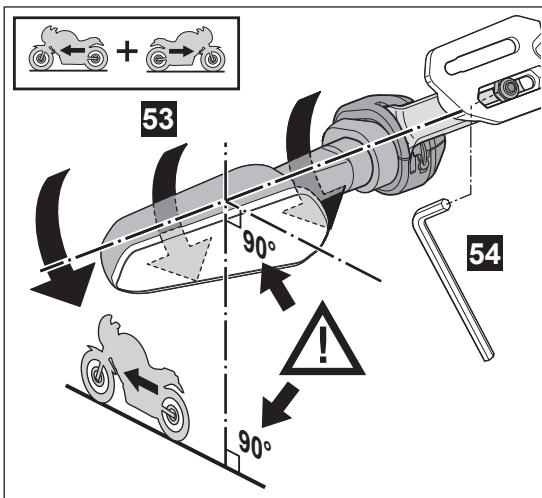
License Plate Holder MT-07 (2025)



51



52



53

54