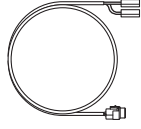

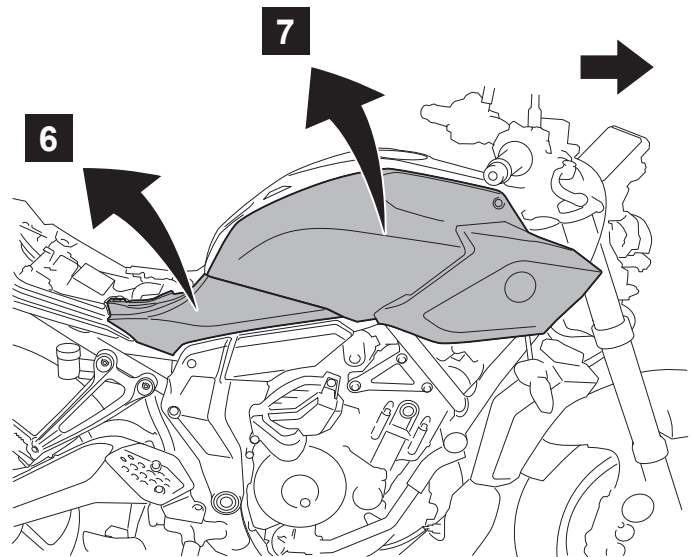
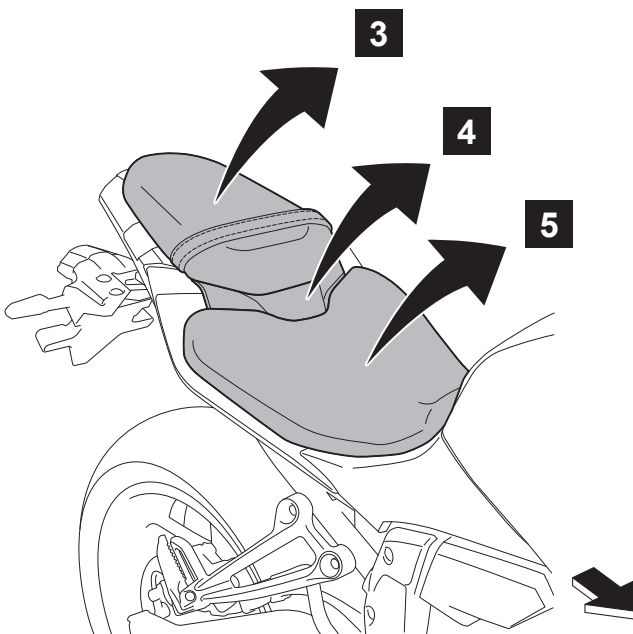
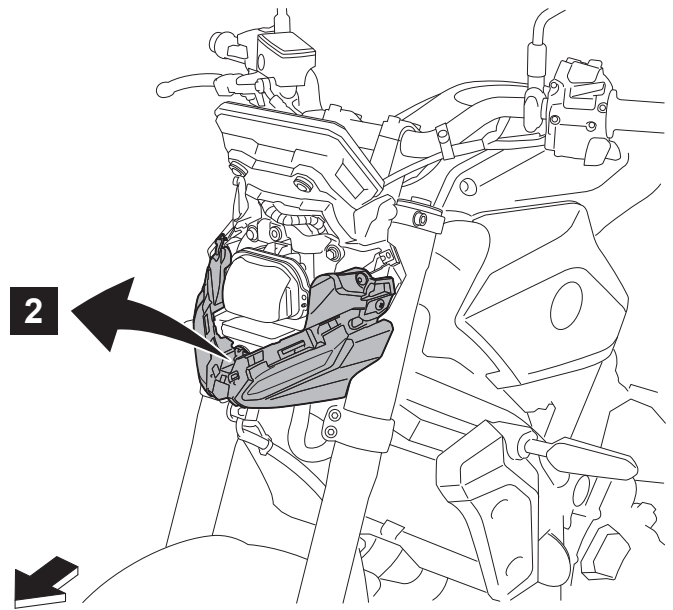
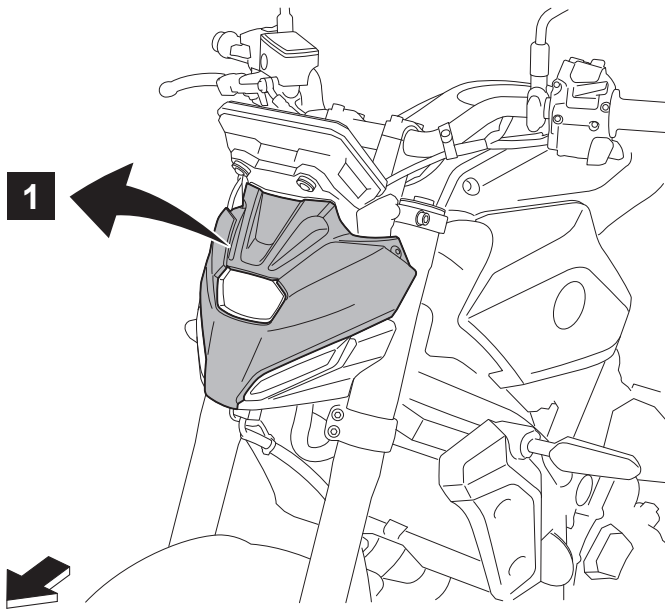



WIRE HARNESS


Posnr.	QTY	
①	1	
②	7	




Easy, suitable for novice with little experience 

Fairly easy, suitable for beginner with some experience 

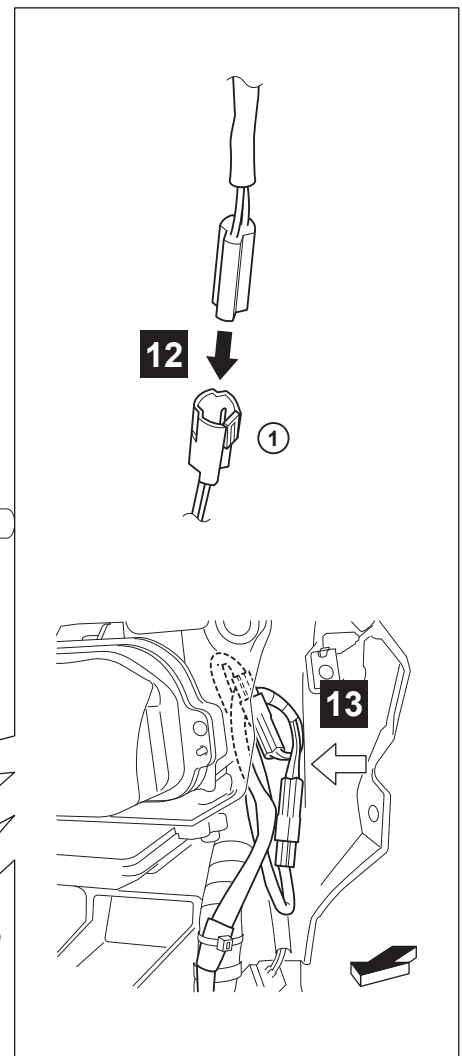
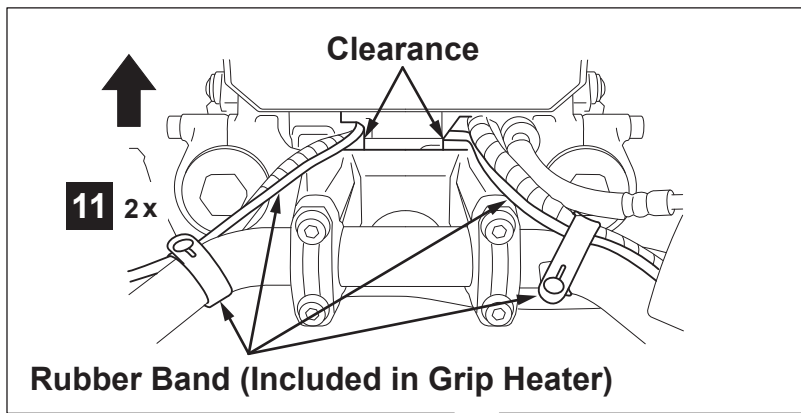
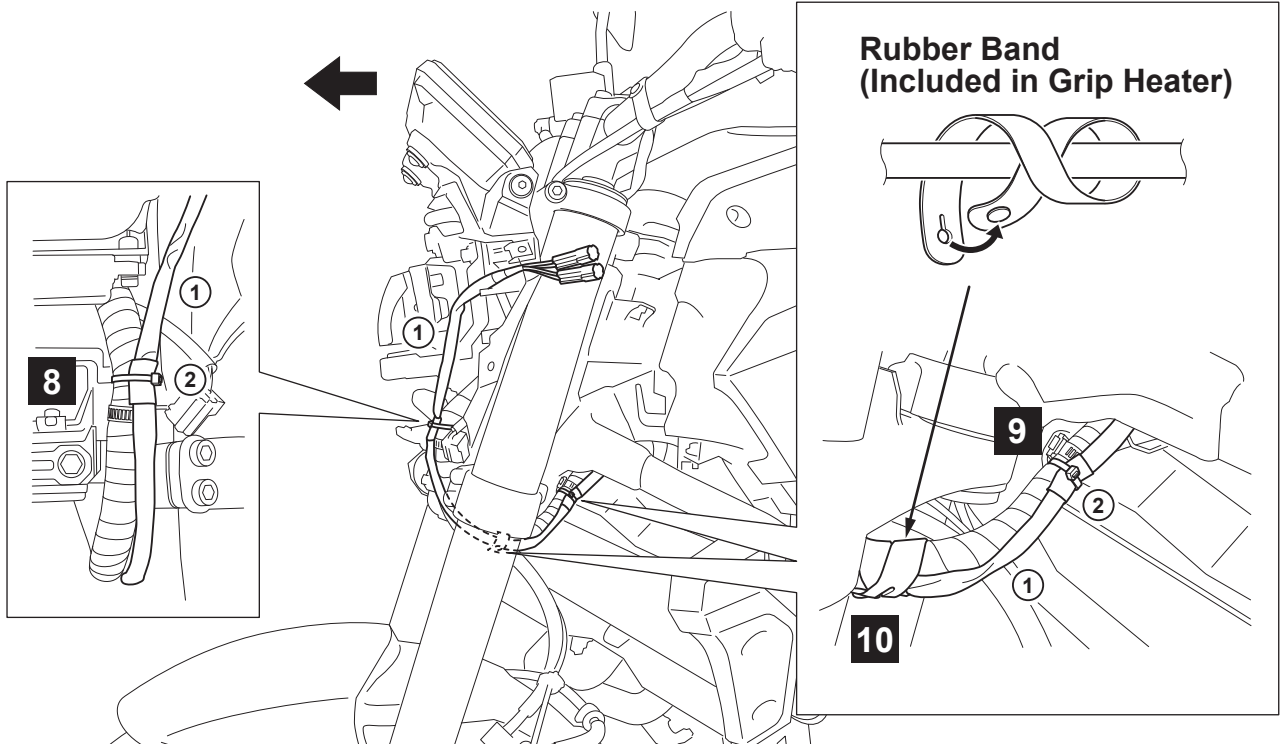
Fairly difficult, suitable for competent DIY mechanic 

Difficult, suitable for experienced DIY mechanic 

Very difficult, suitable for expert DIY or professional 



WIRE HARNESS



WIRE HARNESS

